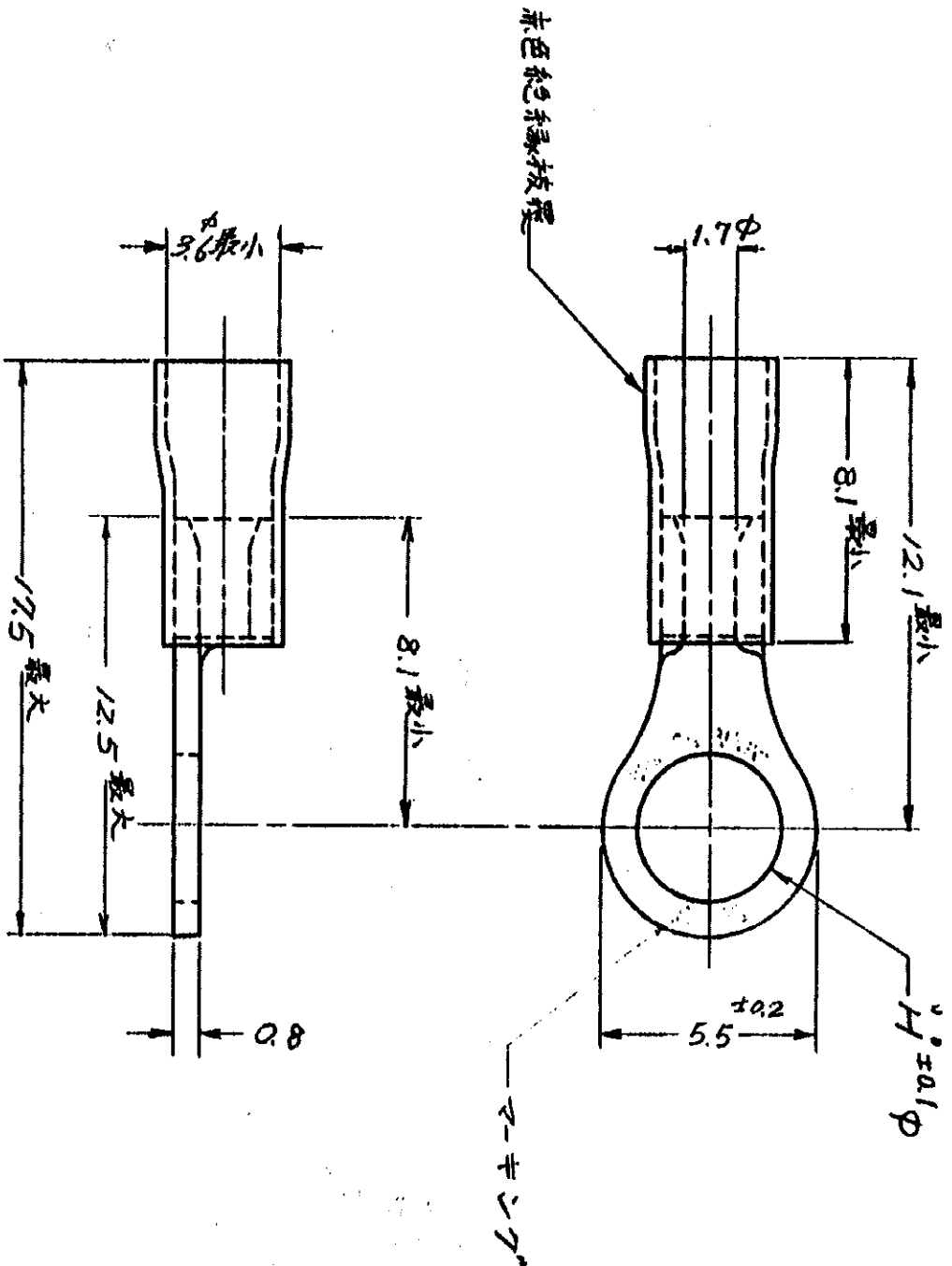


単位：mm DIMENSIONS IN MM. DO NOT SCALE PRINT



型番	日本国特許任意様書図面	寸法	ターキン7
170780-1	ED 564465, PS 125-3	3.3	1.25-3

D ADDED MATL. FINISH		mg MIL 116719	
C ADDED DIM'S		H& AN 2/16	
B ADDED MARK		H.S. AN 2/15	
A REVISED (REV. A)		P-DWG BY S. AN 2/15	
0 RELEASED		G.L. AN 1/12	
LTR.	変更 (REVISION RECORD)	DR.	CHK. DATE
DR.	5/20/72	DE	
CHK.	M. Yoshida		

1975 BY AMP JAPAN, LTD. ALL RIGHTS RESERVED. AMP PRODUCTS COVERED BY PATENTS AND OR PATENTS PENDING.	参考図面 (CUSTOMER COPY) (REFERENCE ONLY)
材料 (MATERIAL) 銅気銅 (COPPER)	製造元 (MANUFACTURER) 東京エレクトロニクス (TOKYO ELECTRONICS)
絶縁被覆 (INSULATION) 赤色 (RED)	規格 (SPECIFICATION) 703251-70170
寸法 (DIMENSIONS) 1.25-3	寸法 (DIMENSIONS) 3.3
公差 (TOLERANCE) ±0.1	公差 (TOLERANCE) ±0.1
検査 (INSPECTION) 100%	検査 (INSPECTION) 100%
備考 (REMARKS) 絶縁被覆端子 (INSULATION COATED TERMINAL)	